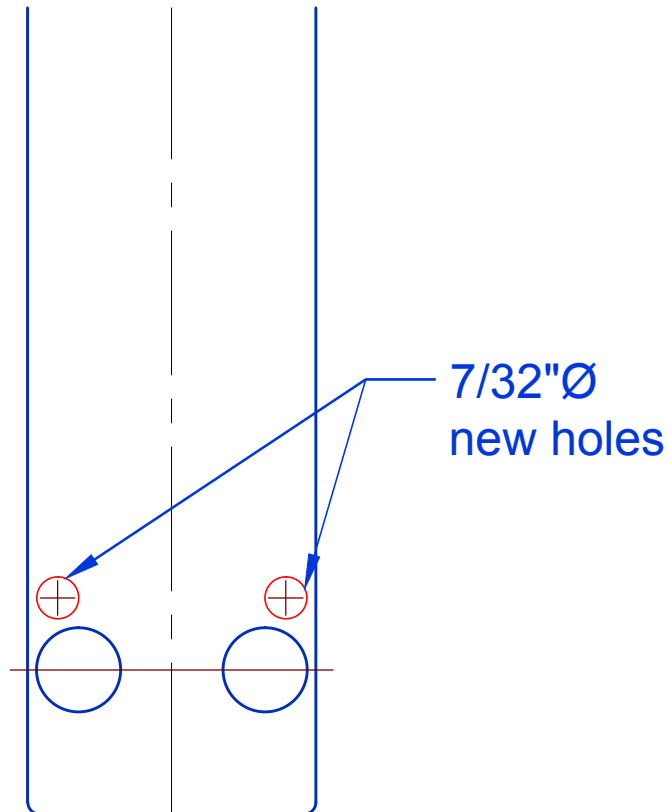


This template is used to adapt an ADEM headrest mast which was originally drilled for the Zotefoam pad to accept the new Upholstered Foam pad.



1. Remove the Zotefoam pad by removing the two screws.
2. Peel the rubber grommets out of their holes and discard them.
3. Print this template out full size and attach it to the mast.
4. Center punch the two 7/32"Ø holes and then drill through the mast.
5. Remove the template and the mast is ready to attach the new pad using the two screws and lock washers provided with the pad.

ADEM Bicycle Accessories LLC
All Rights Reserved

Mast Drill Template

MATERIAL: N/A

Drawn by: Donald L. Appel

Rev. 0 1/4/2015

UNLESS OTHERWISE SPECIFIED
ALL DIMENSIONS IN INCHES
TOLERANCES
1 DECIMAL PLACE: ±0.05
2 DECIMAL PLACE: ±0.01
3 DECIMAL PLACE: ±0.005
ANGULAR: ±1°